

AST3300 Medium-Pressure Pressure Transducer



Industrial OEM Pressure Transducer / Transmitter

Overview

The AST3300 pressure transducer is intended for industrial OEM applications that require compact size and competitive pricing. The AST3300 offers rugged construction with a stainless steel housing and the latest in sensing technology and electronics.

Benefits

- ♦ Low Static and Thermal Errors
- ♦ Wide Operating Temperature Range
- ♦ EMI/RFI Protection
- ♦ Pressure Ranges from 0-10 PSI to 0-580 PSI

Applications

- ♦ Pressure Instrumentation
- ♦ Water Level
- ♦ Boiler Controls
- ♦ Pneumatics
- ♦ HVAC/R Systems



Performance @ 25°C (77°F)

Accuracy*	< ±0.5% BFSL
Stability (1 year)	±0.25% FS, typical
Over range Protection	< 10 bar = 30 bar > 10 bar = 69 bar
Burst Pressure	<10 bar = 42 bar >10 bar = 103 bar
Pressure Cycles	> 10 Million

* Accuracy includes non-linearity, hysteresis & non-repeatability

Environmental Data

Temperature

Operating	-40 to 85°C (-40 to 185°F)
Storage	-40 to 125°C (-40 to 212°F)
Process (ratiometric)	-40 to 135°C (-40 to 275°F)
Process (1-5V / 4-20mA)	-40 to 105°C (-40 to 221°F)

Thermal Limits

Compensated Range	-10 to 70°C (14 to 158°F)
Total Error Band	+/-1% FS

Other

Shock	100G, 11 msec, 1/2 sine
Vibration	10G peak, 20 to 2000 Hz.
EMI/RFI Protection:	EN50082, part (Heavy Industrial)
Rating:	IP65

Electrical Data

Output	4-20mA	1-5V, 0-5V	0.5-4.5V ratiometric
Excitation	12-32 VDC	12-32 VDC	5 VDC regulated
Output Impedance	-	<100 (Ohms)	<100 (Ohms)
Current Consumption:	22mA, Max	<10 mA	<8 mA
Response Time (10-90%)	<1msec	<1msec	<1msec
Output Load:	100-1100 Ohms@12-32VDC	1k Ohms, min	4.7k Ohms, min
Reverse Polarity Protection	Yes	Yes	Yes

Ordering Information

AST3300 A 00005 B 1 F 0 000

Series Type

Process Connection

- A= 1/4" NPT Male
- B= 1/8" NPT Male
- D= G 1/4" Male
- F= 7/16" - 20 UNF Male

Pressure Measurement

Insert pressure code from chart

Pressure Unit

B = Bar M = Millibar

Outputs (Others Available, Consult AST)

- 1= 0.5-4.5V ratiometric 2= 0-5V
- 3= 1-5V
- 4= 4-20mA (2 wire loop powered)

Electrical Interface*

- A= 2ft.(0.6m) Cable
- E= Mini DIN 43650C Connector
- F= Packard Metripack 150
- Y= M12x1

Wetted Material

0= 17-4PH // 304 // Silicon // RTV // Glass

Options

000=No special factory options

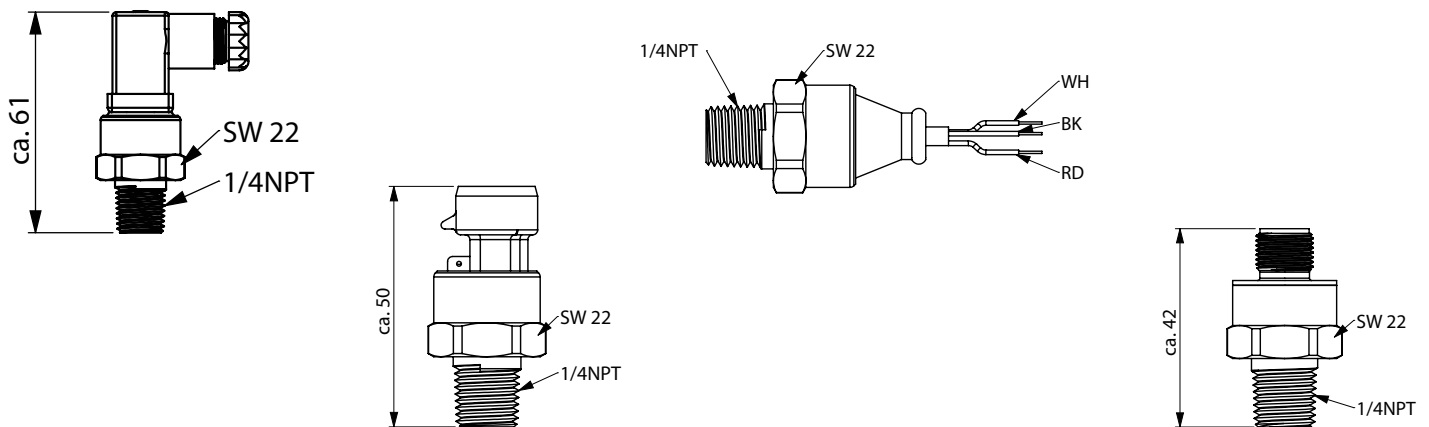
Pressure Ranges

Bar Measurement	Pressure Code
1	00001
2	00002
5	00005
7	00007
10	00010
20	00020
35	00035

Other pressures available. Consult factory

*Wiring information available at: <http://www.astensors.com/mediacenter.php>

Dimensional Data



Warranty

Workmanship - AST, Inc. pressure transmitters have a limited one-year warranty to the original purchaser. AST, Inc. will replace or repair, free of charge, any defective transmitter. This warranty does not apply to any units that have been modified; misused, neglected or installed where the application exceeds published ratings. AST's sensors are made with pride in New Jersey, USA. If in the area please feel free to stop by for a visit!

Installation/Applications - The purchaser is responsible for media compatibility, functional adequacy, and correct installation of the transmitter.