

## MN Thermal Overload Relays

MN Thermal Overload Relays, available from 0.2A to 570A complement the MNX range of power contactors. The relays are ambient temperature compensated, and the unique double slide mechanism provides reliable protection against single phasing. MN 12L relays with trip class 30 are specially designed for long starting time applications.



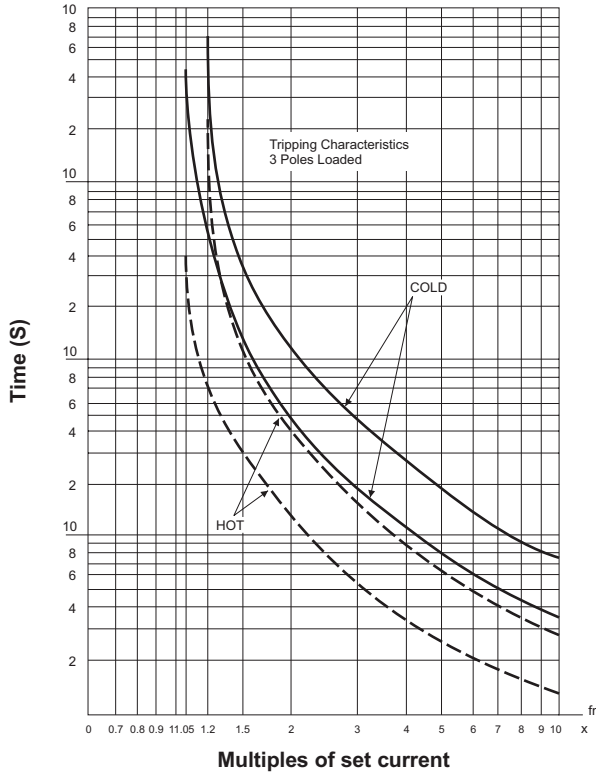
- Available in 3 frame sizes from 0.2-570A
- Direct mounting on MNX Contactors
- Trip class 10A (30 available in MN 12L)
- Ambient temperature compensated
- Built-in single phasing protection



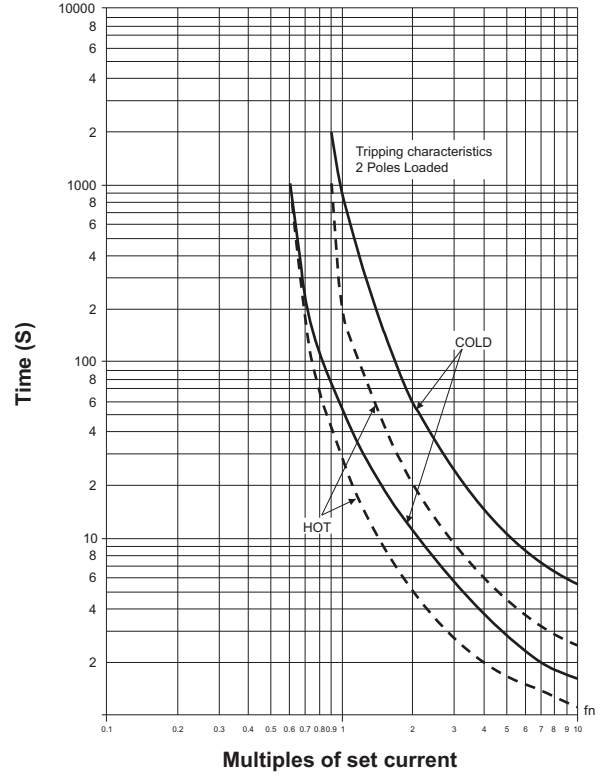
		MN 2	MN 5	MN 12	MN 12L
Conformance to standards		IS/IEC 60947-4-1 & IEC 60947-4-1			
Mounting		Direct	Direct	-	-
		Separate	Separate	Separate	Separate
Suitable for Contactors		MNX 9, 12, 18 22, 25, 32, 40	MNX 45, 50, 70 80, 95, 110, 140	MNX 185, 225, 265 325, 400, 550	
Rated Insulation Voltage	Ui	690V	690V	690V	690V
Rated Impulse Voltage	Uimp	6 kV	6 kV	6 kV	6 kV
Service Temperature		-5°C to 55°C			
Start / OFF / Reset		1 Start & OFF / Reset			
Built-in Contacts		2 NO + 1 NC	2 NO + 1 NC	2 NO + 1 NC	2 NO + 1 NC
Rated Operational Current for AC-15 utilisation category at 50Hz	24V	6A	6A	6A	6A
	110V	5A	5A	5A	5A
	220V	3A	3A	3A	3A
	380 / 415V	2A	2A	2A	2A
	500V	2A	2A	2A	2A
Trip Class		10A	10A	10A	30
Max. Frequency of Operations	Cycles / hr.	30	30	30	30
Main Terminal Capacity	Lug (mm <sup>2</sup> )	10	50	240	240
Aux. Terminal Capacity	Wires (mm <sup>2</sup> )	2 x 2.5	2 x 2.5	2 x 2.5	2 x 2.5

Note: All relays are Ambient Temperature Compensated.

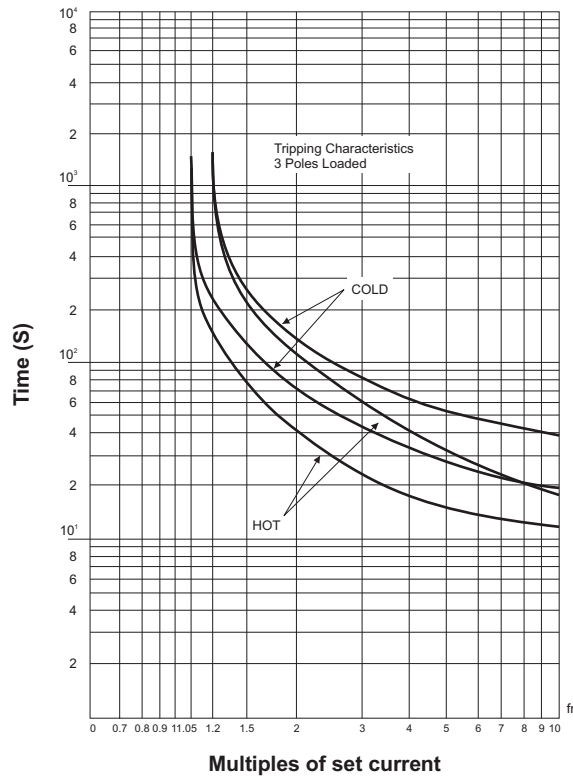
**MN 2 / MN 5 / MN 12 Relay**



**MN 2 / MN 5 / MN 12 Relay**



**MN 12L Relay**



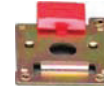
## MN Relays



Relay Mounting Kit



Kit for Mounting MN5 Relay



DIN Rail Mounting Kit MN2 Relay

Description	Cat. No.	Std. Pkg. (Nos.)
Push button unit for MK 1 / ML Relays	SS900040000	1
Push button extension unit for MN 2 Relays	SS949680000	100
Kit for Mounting MN 2 Relay on ML 1.5 contactor	SS947010000	50
Kit for Mounting MN 2 Relay separately (Direct Mounting Type)	SS947000000	50
Kit for Mounting MN 5 Relay on MNX 95 / 110 / 140 contactor	SS946380000	20
Kit for Mounting MN 5 Relay on ML 2 / ML 3 contactor	SS941510000	20
Kit for Mounting MN 5 Relay on ML 4 / ML 6 contactor	SS941520000	20
DIN Rail Mounting Kit Relay on MN 2 Relay	SS918870000	50

## Relay Reset Cord For MN 2 Relay



400 mm



650 mm



900 mm



1200 mm

Description	Cat. No.	Std. Pkg. (Nos.)
MN 2 Relay reset cord - 400 mm	SB942070000	1
MN 2 Relay reset cord - 650 mm	SB942080000	1
MN 2 Relay reset cord - 900 mm	SB942090000	1
MN 2 Relay reset cord - 1200 mm	SB942100000	1



Type	Range (A)	Cat. No.
MN 2	0.2 - 0.33	SS94141OOEO
	0.3 - 0.5	SS94141OOGO
	0.45 - 0.75	SS94141OOJO
	0.6 - 1	SS94141OOKO
	0.9 - 1.5	SS94141OOMO
	1.4 - 2.3	SS94141OOPO
	2 - 3.3	SS94141OOQO
	3 - 5	SS94141OOSO
	4.5 - 7.5	SS94141OOUO
	6 - 10	SS94142OOVO
	9 - 15	SS94142OOBO
	14 - 23	SS94144OODO
	20 - 33	SS94145OOEO
	24 - 40	SS94145OOFO



Type	Range (A)	Cat. No.
MN 5	20 - 33	SS94136OOEO
	30 - 50	SS94136OOGO
	45 - 75	SS94137OOJO
	66 - 110	SS94137OOKO

Note: MN 5 relays of lower ratings available on request



Type	Range (A)	Cat. No.
MN 12	42 - 69	SS94138OOHO
	60 - 100	SS94138OOKO
	90 - 150	SS94138OOMO
	135 - 225	SS94138OOPO
	180 - 300	SS94139OOQO
	270 - 450	SS94139OORO

Note: MN 12 relays of lower ratings available on request

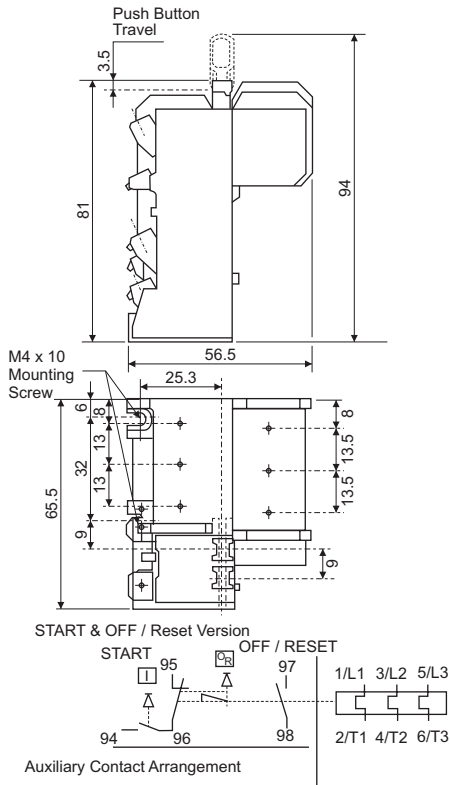


Type	Range (A)	Cat. No.
MN 12L*	42 - 69	SS94127OOHO
	60 - 100	SS94127OOKO
	90 - 150	SS94127OOMO
	135 - 225	SS94127OOPO
	180 - 300	SS94127OOQO
	340 - 570	SS94127OOSO

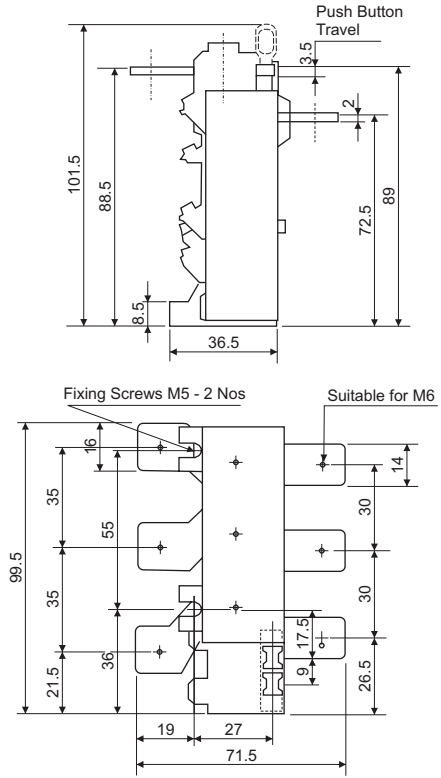
\*For motors with long starting time

## Thermal Overload Relay - Type MN

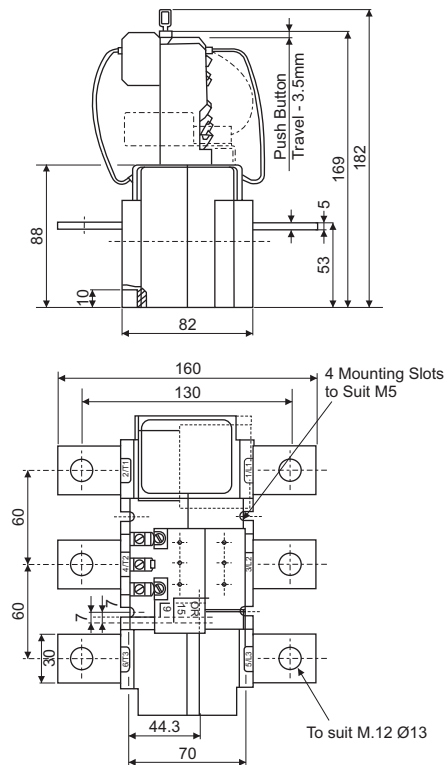
**MN 2 (Separate Mounting)**



**MN 5 (Separate Mounting)**



**MN 12 / 12L (Relay)**



All dimensions in mm.