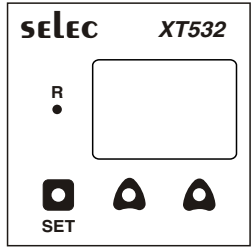


OPERATING INSTRUCTIONS

XT532-N / XT532N-M



48 x 48

SPECIFICATIONS

DISPLAY

2 digit, 0.5" high, 7 segment red LED

SET POINTS

Single set point

DELAY MODES

- ON delay
- Interval.
- Cyclic ON first
- Cyclic OFF first

TIME RANGES

9.9sec, 99sec, 9.9min, 99min, 9.9hr, 99hr.

RESET INPUT

- Front panel.
- Via rear terminals.
- ON power interruption.

RESET TIME

Less than 100 msec.

INPUTS

- Start
- Reset.

COUNTING DIRECTION

Down.

LED INDICATION

Relay ON.

OUTPUT

DPDT relay, rated 5 A @ 230 VAC.

POWER SUPPLY

90 to 270 VAC/DC @ 50/60Hz, 1.2 VA.

TIME SETTING

Via keys on front panel.

ACCURACY

± 0.05% or 50 msec whichever is greater.

MEMORY RETENTION

XT532-N : No memory.

XT532N-M : 10 Years.

CONFIGURATION LOCK

Via rear terminals for configuration mode.

MOUNTING

Panel mounting.

OPERATING TEMP.

Operating : 0 to 50°C. Storage: -5 to 50°C.

HUMIDITY

95% RH

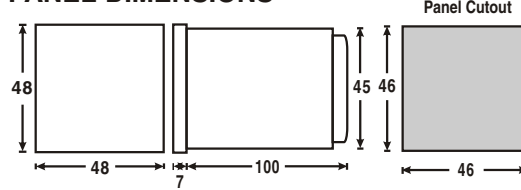
HOUSING

ABS plastic

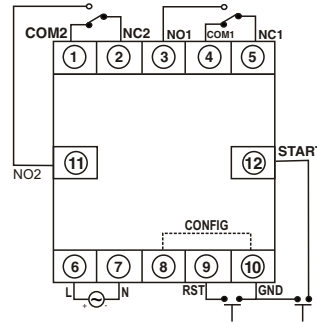
WEIGHT

176gms

PANEL DIMENSIONS

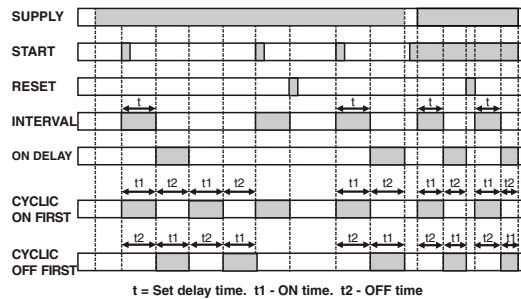


TERMINAL CONNECTIONS



TERMINAL	DESCRIPTION
1	COM2 of relay
2	NC2 of relay
3	NO1 of relay
4	COM1 of relay
5	NC1 of relay
6	L (Live or +ve of DC)
7	N (Neutral or -ve of DC)
8	Config (short with 10 for config. Entry)
9	Reset
10	GND for START/RST/CONFIG
11	NO2 of relay
12	Start

TIMING DIAGRAM



CONFIGURATION SCHEME (parameter setting)

- Before configuration: Short terminal no 8 & 10
- Turn power on
- LSD dp flashes in configuration mode.
- To change value: For 2 digits, two keys are provided. The digit above respective key increments by one for each momentary press of key and rolls over from 9 to 0.

To select Range. Default : 9.9sec

Key press (Momentary)	Display	Description
Press last ▲	10.*	9.9 sec.
Press last ▲	11.*	99 sec.
Press last ▲	12.*	9.9 min.
Press last ▲	13.*	99 min.
Press last ▲	14.*	9.9 hr.
Press last ▲	15.*	99 hr.

Press middle key '▲' to select delay mode. Default : ON Delay

MODE	Display	Description
Press last ▲	20.*	On delay
Press last ▲	21.*	Interval delay
Press last ▲	22.*	Cyclic (on first)
Press last ▲	23.*	Cyclic (off first)

Press middle key '▲' again to select front reset. Default : Enabled

FRONT RESET	Display	Description
Press last ▲	30.*	Enabled (Yes)
Press last ▲	31.*	Disabled (No)

Press middle key '▲' again to select POR. Default : Power on reset

POWER ON RESET	Display	Description
Press last ▲	40.*	Power on reset
Press last ▲	41.*	No Power on reset (battery back up function)

Press middle key '▲' again to select reset all.

	For XT532N-M	For XT532-N	Description
RESET ALL	50.*	40.*	No action
Press last ▲	51.*	41.*	No action
Press last ▲	10.*	10.*	No action

Press last ▲	53.*	43.*	No action
Press last ▲	54.*	44.*	No action
Press last ▲	55.*	45.*	No action
Press Middle key ▲	11.*	11.*	All parameters are set to default values (factory settings)

👉 To quit configuration setting mode, turn power off, remove link between 8 & 10 & switch power on.

TO PROGRAM SET TIME:-

ON/ INTERVAL MODE

Press SET key continuously 00.*

Then preset time can be set by using the middle ▲, last ▲ keys. Program set value from 00 to 99.

IN CYCLIC MODE

For OFF time		
	Display	Description
Press SET key continuously	0.*	For 0.5 sec indicating program OFF time
	00.*	Set OFF time using middle ▲ & last ▲ keys.
For ON time		
Press SET key continuously	1.*	For 0.5 sec indicating program ON time
	00.*	Set ON time using middle ▲ & last ▲ keys.

Set time will be entered on release of SET key

Note: * - Indicate LSD decimal point blinking

RESETTING THE TIMER

- FRONT RESET:** By pressing last ▲ key continuously for 3 seconds. (valid only if front reset enabled in configuration)
- REMOTE RESET:** From a remote pushbutton connected between terminal nos. 9 & 10
- On power interruption.**

(Specifications subject to change as development is a continuous process)

Selec Controls Pvt. Ltd., India.

(Formerly Selectron Process Controls Pvt. Ltd.)

Tel:91-22-28476443, Fax:91-22-28471733,

Website: www.selec.com

E- mail: sales@selec.com.

Document name: Operating/0804/XT532-N/XT532N-M/Ver-1 OP198-V01