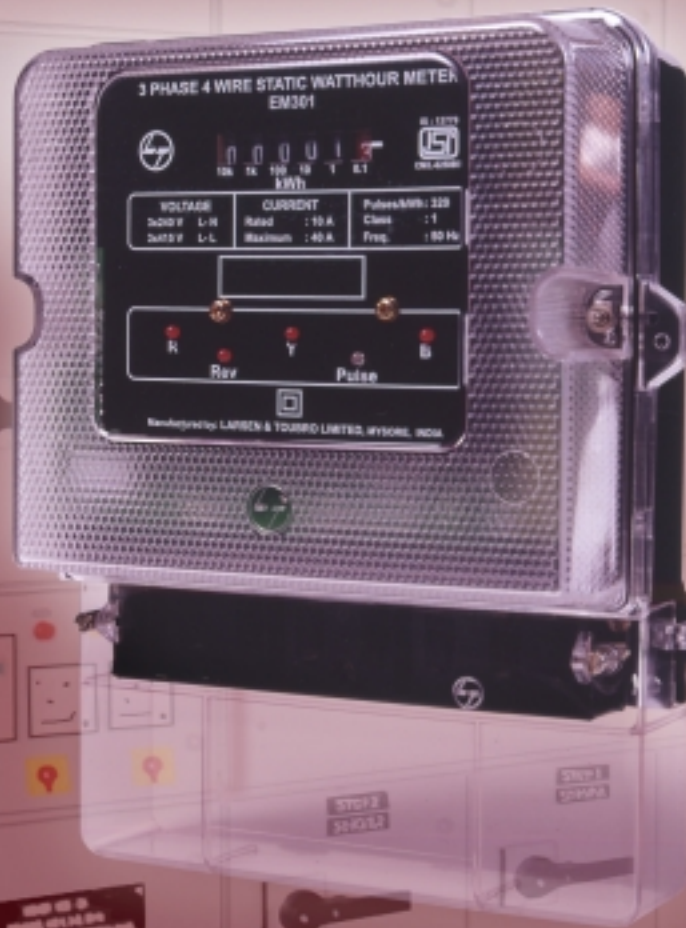


THREE PHASE ENERGY METER-EM301



- ◆ Class of Accuracy: 1.0
- ◆ LEDs indicating presence of each Phase.
- ◆ Withstands phase to phase voltage between Phase and Neutral for LT
- ◆ Maintains Accuracy under Current Reversal conditions
- ◆ High Surge Voltage withstand capability up to 8 kV
- ◆ Polycarbonate enclosure.



IS : 13779

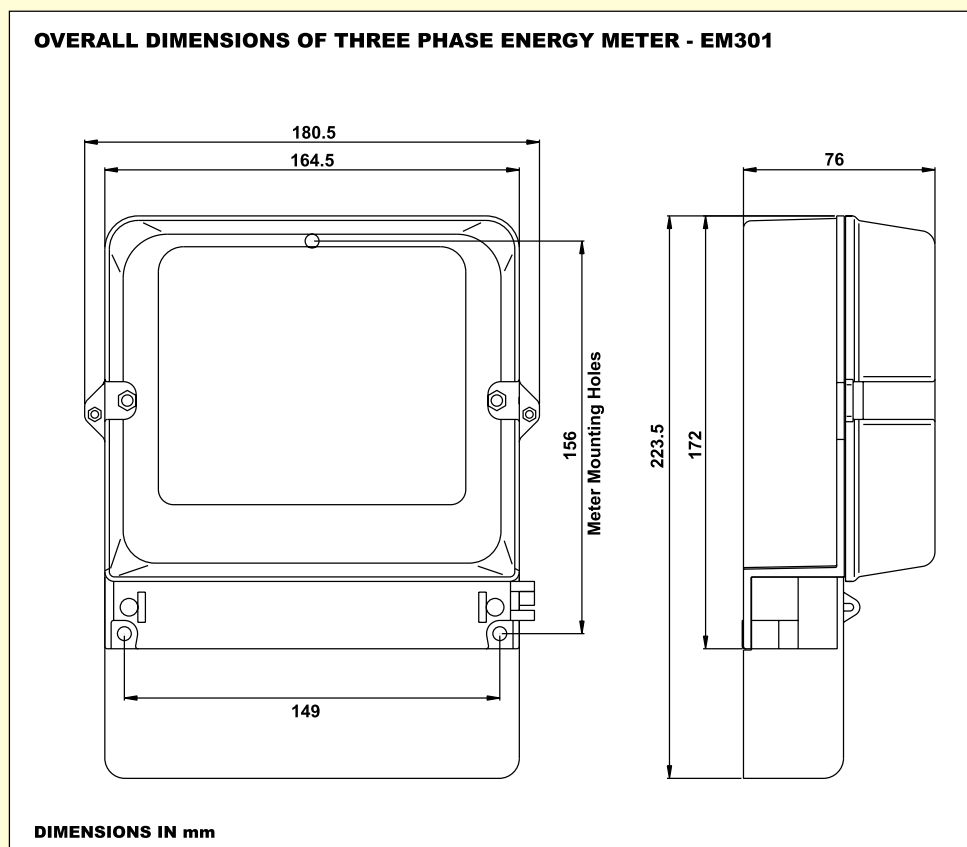


CM/L-6250861

THREE PHASE ENERGY METER-EM301

TECHNICAL SPECIFICATIONS

Type	<ul style="list-style-type: none"> ■ Three Phase Three Wire ■ Three Phase Four Wire 	Electrical Contd.	<ul style="list-style-type: none"> ■ Voltage - (-30% to +20%) <ul style="list-style-type: none"> ◆ 3 Phase, 3 Wire...110V (L-L) ◆ 3 Phase, 4 Wire...63.5V, 240V (p-n) ■ Frequency Range <ul style="list-style-type: none"> * 50 Hz \pm 5 %
Accuracy	<ul style="list-style-type: none"> ■ Class 1.0 ■ Conforms to IS:13779, IEC 61036 	LED indication	<ul style="list-style-type: none"> ■ for presence of Phase Voltage (R Y B) ■ for Current Reversal ■ for Pulse output proportional to energy consumed.
Electrical	<ul style="list-style-type: none"> ■ Current <ul style="list-style-type: none"> ◆ 3 Phase, 3 Wire <ul style="list-style-type: none"> * CT Operated I_b.....1A / 5A I_{max}...200% of I_b ◆ 3 Phase, 4 Wire <ul style="list-style-type: none"> * Whole Current I_b.....5A / 10A / 20A / 50A I_{max}...Up to 600% of I_b * CT Operated <ul style="list-style-type: none"> - Basic Current I_b.....1A/5A - Maximum Current I_{max}.....200% of I_b 	Anti Tamper	<ul style="list-style-type: none"> ■ Meter records energy correctly when current is reversed in one or all phases ■ Meter works in the presence of two wires (any two phases or a phase & neutral).
		Display	<ul style="list-style-type: none"> ■ 6 digit Stepper Motor Counter (1 decimal digit)
		Operating Temperature	<ul style="list-style-type: none"> ■ 0 to 55 °C ambient



LARSEN & TOUBRO LIMITED
METERING AND PROTECTION SYSTEMS

Works.....KIADB Indl. Estate, Hebbal, Hootagalli, Mysore-570018. Ph: (0821) 402561. Fax: (0821) 402172.

◆ New Delhi: Ph: (011) 25177883. Fax: (011) 25438624 ◆ Bangalore: Ph: (080) 5587825. Fax: (080) 5596397 ◆ Kolkata: Ph:(033) 22823302. Fax: (033) 22821025 ◆ Chandigarh: Ph:(0172) 370131. Fax:(0172) 792764 ◆ Mumbai: Ph:(022) 28581634. Fax:(022) 28582020

◆ Chennai: Ph:(044) 28462055 Fax: (044) 28462102.

Visit us at www.Intmps.com

Product improvement is a continuous process. For the latest information, please contact any of our offices as listed above