



SOLENOID VALVE EVJ / EVJD



- q REFRIGERATION PLANTS q BOTTLING PLANTS q MILK COOLERS q
- q AIR CONDITIONING PLANTS q HUMIDIFYING PLANTS q
- q WATER CHILLERS q ICE MAKING MACHINES q FREEZERS q
- q DRINK VENDING MACHINES q

DESCRIPTION : Indfos Solenoid valves are normally closed type Electro-magnetic shut off valves, which on receiving an Electric impulse, open to allow flow in the pipe-lines.

APPLICATION : Type EVJ, EVJD valves are designed for fluorinated refrigerants R 12, R 22 and R 502. They are equally suitable for other mediums like water & air. However, these valves are not suitable for industrial applications involving flow of gases & oils.

TECHNICAL DETAILS : These valves are available with coils of different AC & DC voltages (as shown in table). The permissible deviations from rated coil voltage are:

Wattage : For AC Coil : 8W
For DC Coil : 12W

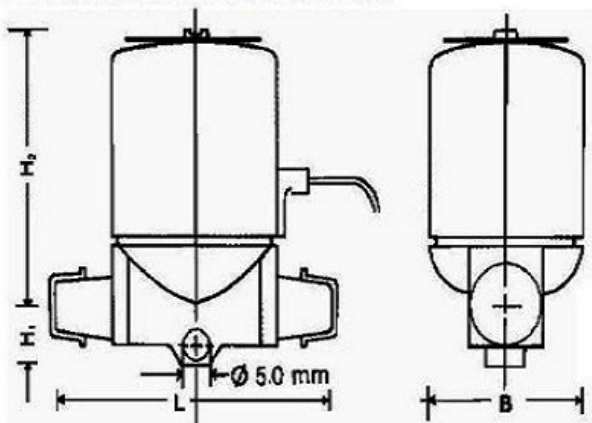


TECHNICAL DATA

Type	Code No.	Process Connection	Orifice (mm)	Opening and Operating Differential Pressure PSI (ATM)			Permissible Temperature Limits of Media (°C)	Maximum Permissible Ambient Temperature for Coil (°C)	Kv Factor	Test Pressure PSI (ATM)	Coil Voltage Available
				Max. Liquid	Gas & Air	Min.					
EVJ-3	32K4031	1/4" Flare	2.5	200 (14)	240 (17)	--	-40 to 105	40	0.10	710 (50)	220V AC * 110V AC *
EVJD-6	32K4131	3/8" Flare	6	240 (17)	240 (17)	0.7 (0.05)	-40 to 105	40	1.0	710 (50)	110V DC 72V DC
EVJD-10	32K4231	1/2" Flare	10	240 (17)	240 (17)	0.7 (0.05)	-40 to 105	40	1.5	710 (50)	± 10%

Kv Factor : Water flow in M³/Hr at a pressure drop of 1Kg/Cm² across the valve
* : Frequency 50Hz (STD). Frequency 60Hz available on request

MOUNTING DIMENSIONS



TYPES EVJ-3 & EVJD 6-10

TYPE DIMEN	EVJ-3	EVJD-6	EVJD-10
H1	13	15	14
H2	67	72	76
L	81	87	93
B	52	52	52
WT. Gms.	670	865	900

All dimensions are in mm