

OPERATING INSTRUCTIONS

XT56-N/564-N/264/364

Please maintain these instructions and review them prior to using the unit:

⚠ Warning:

1. This unit is panel mounted type with its output terminals getting connected to the host equipment. Such equipment shall also comply with basic EMI/EMC and safety requirements like BS EN 61326-1 and BS EN 61010 respectively.
2. To avoid electric shock, power supply of the unit should be kept off while wiring. Wiring should be done strictly as per the terminal layout, given in the manual.
3. Use lugged terminals to meet M3 screws.
4. The unit does not have a built-in fuse. External fuse with a rating of 275VAC/1A is recommended.

⚠ Caution:

1. This unit is not intended for outdoor use.
2. The power connection cable must have a cross-section of atleast 1mm² and insulation capacity of atleast 1.5kV.
3. The output connections must not be loaded beyond the specified values/range.
4. Avoid inflow of dust and contact of conductive material with the internal circuitry of the unit.
5. The unit must not operate in presence of heating sources, caustic vapors, oil, steam, vibration or impact etc.
6. Use clean soft cloth for cleaning. Do not use any organic solvents like Isopropyl alcohol. Care must be taken to avoid entry of water into the circuitry through the ventilation holes.

SPECIFICATIONS

DISPLAY

XT56-N/564-N: 3 digit, 0.3" Height, Red LED.
XT264-2/364-2: 2 digit, 0.5" Height, Red LED.
XT264-3/364-3: 3 digit, 0.5" Height, Red LED.

SET POINT

Single set point.

SUPPLY (FACTORY SET)

90 to 270V AC/DC, AC: 50 or 60 Hz.
 24V AC/DC

DELAY MODES

On delay / Interval.

TIME RANGES

XT56-N/564-N/264-3/364-3:
 9.99, 99.9, 999 sec, 99.9, 999 min, 99.9 hr.
XT264-2/364-2: 9.9, 99sec, 9.9, 99min, 9.9hr.

TIME SETTING

By push wheel switches.

ACCURACY

XT56-N: ±0.05% or 50 msec.
 (whichever is greater)
XT564-N/264/364: ±0.5% or 50 msec.
 (whichever is greater)

START INPUT

Pulse Start.

RESET

- 1) Front panel reset.
- 2) Remote reset.
- 3) On power interruption.

RESET TIME

Less than 100 msec.

COUNT DIRECTION

Down.

LED INDICATION

Relay status.

OUTPUT

XT56-N/264/364 : 2NO/NC
XT564-N: 1NO/NC.

RELAY RATING

5A @ 230VAC/24VDC

MOUNTING

Panel mounting.

HOUSING

CE marked products: Flame retardant plastic.
Non CE products: ABS plastic.

TEMPERATURE

Operating: 0 to 50°C
Storage: -5 to 55°C.

HUMIDITY

95% RH.

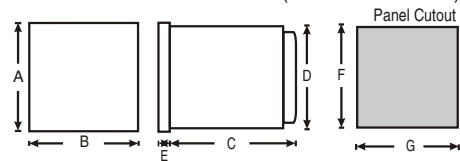
WEIGHT (gms)

XT56-N: 170, **XT564-N:** 200,
XT264: 325, **XT364:** 350

PRODUCT CODE

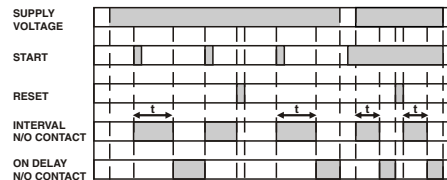
| MODELS | DIGITS | BEZEL SIZE(mm) |
|---------|--------|----------------|
| XT56-N | 3 | 48 x 48 |
| XT564-N | 3 | 48 x 48 |
| XT264-2 | 2 | 72 x 72 |
| XT264-3 | 3 | 72 x 72 |
| XT364-2 | 2 | 96 x 96 |
| XT364-3 | 3 | 96 x 96 |

OVERALL DIMENSIONS (All dimensions in mm)



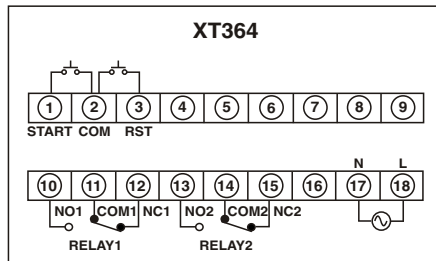
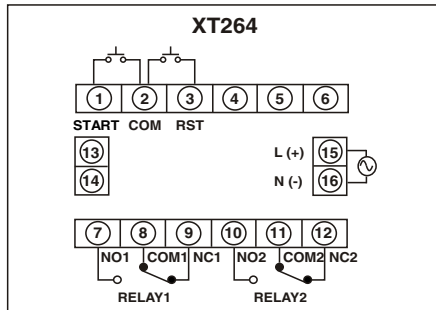
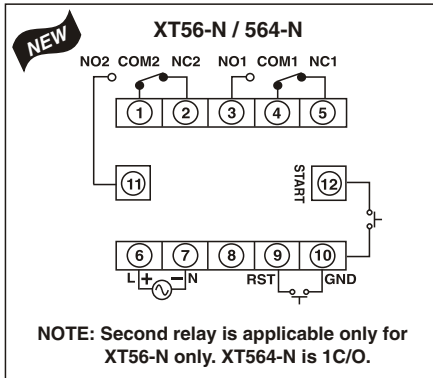
| DIM MODELS | A | B | C | D | E | F | G |
|------------|----|----|-----|----|----|----|----|
| XT56-N | 48 | 48 | 100 | 45 | 7 | 46 | 46 |
| XT564-N | 48 | 48 | 100 | 45 | 7 | 46 | 46 |
| XT264 | 72 | 72 | 115 | 68 | 10 | 69 | 69 |
| XT364 | 96 | 96 | 70 | 90 | 10 | 92 | 92 |

TIMING DIAGRAM



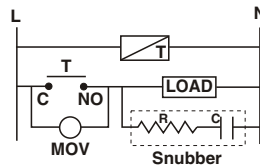
t = Set delay time

TERMINAL CONNECTIONS



| TERMINAL DESCRIPTION | TERMINALS FOR | | | |
|----------------------|---------------|---------|-------|-------|
| | XT56-N | XT564-N | XT264 | XT364 |
| L (Live) | 6 | 6 | 15 | 18 |
| N (Neutral) | 7 | 7 | 16 | 17 |
| COM of relay 1 | 4 | 4 | 8 | 11 |
| NO of relay 1 | 3 | 3 | 7 | 10 |
| NC of relay 1 | 5 | 5 | 9 | 12 |
| COM of relay 2 | 1 | – | 11 | 14 |
| NO of relay 2 | 11 | – | 10 | 13 |
| NC of relay 2 | 2 | – | 12 | 15 |
| START input | 12 - 10 | 12 | 1 - 2 | 1 - 2 |
| RESET input | 9 - 10 | 9 | 3 - 2 | 3 - 2 |
| GND (COM) | 10 | 10 | 2 | 2 |

LOAD CONNECTIONS



- 1) Snubber Part No.: APRC - 01.
 - 2) MOV Part No.: AP-MOV - 03.
- Note: For inductive loads, use of snubber and MOV, as shown above, is recommended.

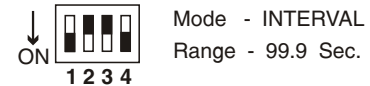
DIP SWITCH SETTINGS FOR MODE

| MODE (2 / 3 digit) | SW 1 |
|--------------------|------|
| ON DELAY | OFF |
| INTERVAL | ON |

DIP SWITCH SETTINGS FOR TIME RANGE

| RANGE | | SW2 | SW3 | SW4 |
|---------|----------|-----|-----|-----|
| 2 digit | 3 digit | | | |
| 9.9 sec | 9.99 sec | OFF | OFF | OFF |
| 99 sec | 99.9 sec | OFF | OFF | ON |
| 9.9 min | 999 sec | OFF | ON | OFF |
| 99 min | 99.9 min | OFF | ON | ON |
| 9.9 hr | 999 min | ON | OFF | OFF |
| -- | 99.9 hr | ON | OFF | ON |

DIP SWITCH SETTING EXAMPLE



NOTE : DIP switch for range and mode settings is on the side of the Instrument.

(Specifications subject to change as development is a continuous process).

Selec Controls Pvt. Ltd., India.

(Formerly Selectron Process Controls Pvt. Ltd.)
 Tel: 91-22-28476443/1882, Fax: 91-22-28471733,
 Toll free: 1800 227 353, Web.: www.selec.com
 E-mail: sales@selec.com.